

PC系列齿轮减速机的结构性能 Structural Performance of PC Serial Gear Reducer

结构特点 Structural feature

PC系列减速机是采用模块化结构设计的单级齿轮传动减速机—即PC063型单级齿轮传动减速机的传动比 $i=3.0$;PC071型单级齿轮传动减速机的传动比 $i=3.0$;PC080型单级齿轮传动减速机的传动比 $i=3.0$;PC090型单级齿轮传动减速机的传动比 $i=2.42$;(详细参数见后面“技术参数”表)。PC系列减速机可以独立供货,也可以直接与WMRV系列蜗杆减速机组合(PC+WMRV组合方式详细参数见后面“PC+WMRV组合型减速机组合方式”表。)

PC系列前置级减速机与WMRV系列蜗杆减速机连续方法较为简单,类似于B14型的安装方式。

PC serial gear reducer is a single-stage gear driving one adopting modularized structural design. i.e PC063 single-stage gear driving reducer, its transmission ratio $i=3.0$; PC071 single-stage gear driving reducer, its transmission ratio $i=3.1$; PC080 single-stage gear driving reducer, its transmission ratio $i=3.1$; PC090 single-stage gear driving reducer, its transmission ratio $i=2.42$; (the detailed data shown in the following table of technical data). (For the form of PC+WMRV combination, its detailed data seen in the following table of “The Combination Form of PC+WMRV reducer”). The connection method PC serial top reducer and WMRV serial worm reducer is comparatively simple, similar to the connection form of B14.

减速机主要件的材料

The materials for main parts on the reducer;

1. 压铸铝合金 (ZL106)箱体。
2. 20CrMnMo齿轮合金钢表面处理 (渗碳淬火), 渐开线齿形磨削 (磨齿)。
3. 减速机输出轴采用40Cr中碳钢热处理 (调质.表面淬火处理).
1. Die-casting aluminum alloy (ZL106) case
2. 20CrMnMo gear alloy steel, surface treatment (cementing & hardening). involute tooth shape grinding (grinding gear teeth);
3. The output shaft of reducer is made of 40Cr and adopts the heat treatment for medium carbon steel (seasoning and surface hardening treatment).

PC系列齿轮减速机的电机安装

The installation of the motor on PC serial gear speed reducer;

为了正确将小齿轮安装在电机轴上, 请遵循以下几点要求:

1. 全面清洗电机的输出轴。
2. 取下电机输出轴上的平键。
3. 加热轴套①至 $100^{\circ}\text{C}\sim 120^{\circ}\text{C}$, 按下图示讲轴套①装在电机的输出轴上。
4. 参考装轴套①的方法装上小齿轮③。
5. 装上垫圈④, 拧紧沉头螺钉⑤。(沉头螺钉要涂上螺纹紧固胶防松)
6. 因PC减速机已注满润滑油, 小心取出图示②处密封端盖。(PC减速机出厂时配了电机, 无此工序.)
7. 装上图示②骨架油封和电机, 注意不要损坏骨架油封。

注意: PC系列减速机所采用的是高质量的标准电机, 可保证电机无振动, 低噪音运行。

The installation of the motor on PC serial gear reducer:

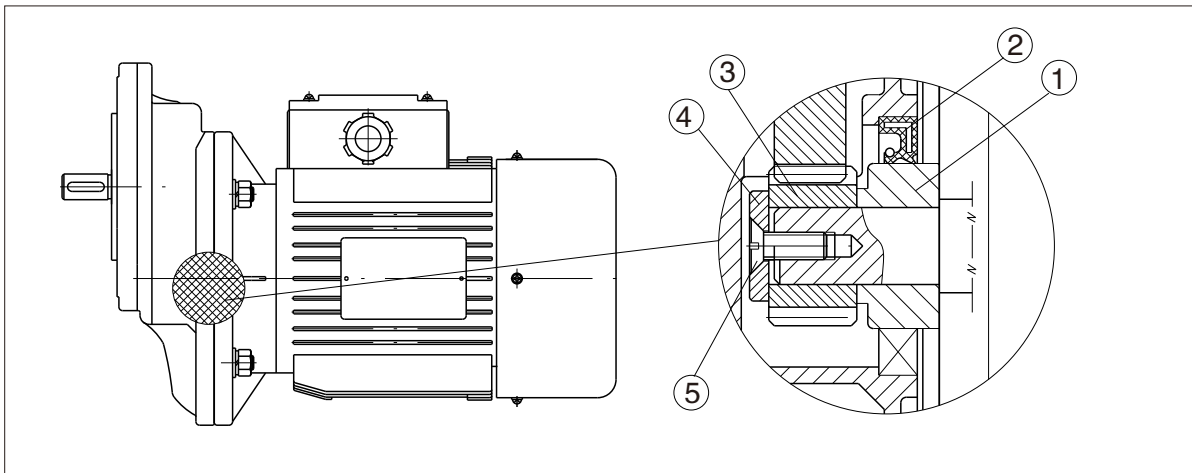
In order to fix the pinion correctly on motor shaft, please follow the procedures below:

1. Completely clean the output shaft of the motor;
2. Remove the flat key on the output shaft;
3. Heat the sleeve(1) up to 100°C~ 120°C, and fix the sleeve(1) on the output shaft based on the diagram;
4. Fix the pinion(3) referring to the method of fixing the sleeve(1);
5. Fix the washer(4), and fasten countersunk head screws(5)(countersunk head screws shall be coated with screw fixing glue in order to prevent looseness);
6. Because PC speed reducer has been filled with lubricate ,carefully remove the sealing end cover at(2)in the diagram;
(This procedure does not exist because PC speed reducer has been provided with a motor when leaving the factory.)
7. Replace skeleton oil seal and motor at(2)in the diagram, being careful not to damage the skeleton oil seal;

Note: PC serial speed reducer adopts a standard motor with high quality, and the motor may run with no vibration and low noise.

PC系列齿轮减速机的电机安装

The installation of the motor on PC serial gear reducer:



PC系列齿轮减速机的润滑油

Lubricating oil of the motor on PC serial gear reducer:

PC系列减速机采用2#极压锂基钙润滑脂润滑（长期性），可按说明书上规定的位置安装。

PC系列减速机采用2#极压锂基钙润滑脂使用的工作范围-20°C~+50°C

-PC serial reducer adopts No.2 extreme pressure lithium lubricating grease(long-term) for lubrication; and the reducer may be fixed according to the position indicated on the specification;

-No.2 extreme pressure lithium lubricating grease adopted on PC serial reducer has the working range from -20°C~+50°C

减速机型号 Type	PC 063	PC 071	PC 080	PC 090
B3、B8 B6、B7 V5、V6	0.05L	0.07L	0.15L	0.15L

注：润滑油的油量单位（升）

Note: The unit of lubricant oil is liter (L).

PC系列齿轮减速机的型号标记：
Signs and markl exaple of PC serlal gear reducar

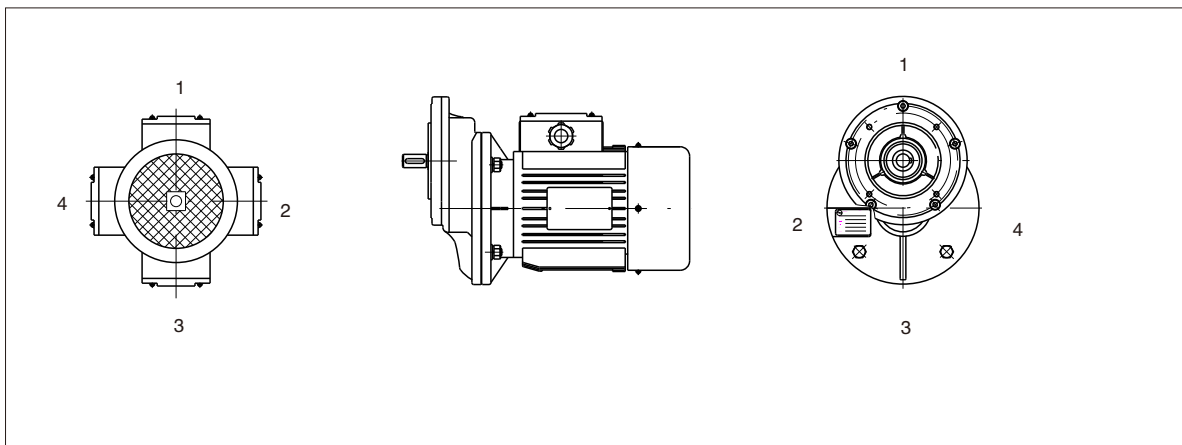
PC系列减速机的型号由型式代号、机座号、所配电机类型（功率和极数）、公称速比输出轴直径组成，代号标记见下表：
The model includes model code ,bass number type equipped (power and pole number).nominal gear ratio and the diameter of output shaft
The code is shown in rhe following table:

PC	减速机的型式代号 Type
063、071、080、090	减速机的机座号 Base number
Y0.09–Y2.20(2P、4P、6P、8P)	配电机功率，极数（4P省略） Whth motor power,poles(our polds omittd)
3.00、2.42	公称速比（此种减速机为单级齿轮传动可以省略） Nominal gear ratio (This kond of reducer is sing-stage gdar drive, available to omit)
$\phi 11$ 、 $\phi 14$ 、 $\phi 19$ 、 $\phi 24$ 、 $\phi 28$	输出轴直径（标准轴径省略） Output shaft diameter (Standard shaft diameter omitted)
B3、B8、B6、B7、V5、V6	安装方式代号（见PC系列减速机安装方式P25） Code of installation fom(See the installation fom of Pcserial reducer page25)
1、2、3、4	接线盒方向代号（见电机接线盒方向P25） Location of switchbox (See location of motor switchbox page25)

型号标记示例：
Signs and marks example

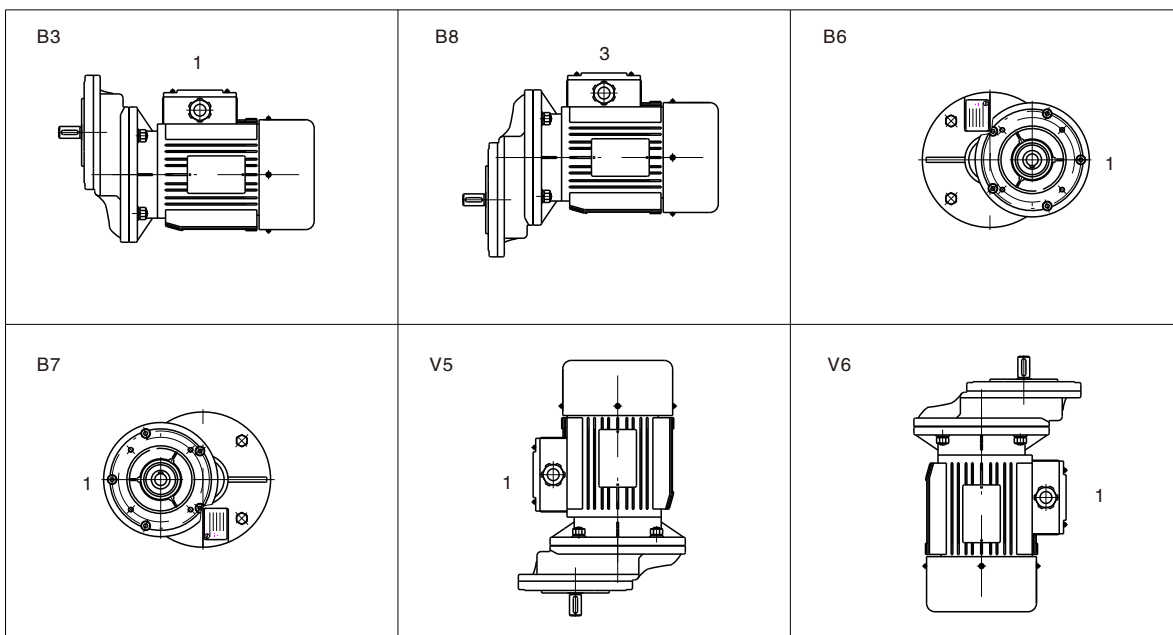
PC063–Y0.18(4P)–3.0– $\phi 11$ –B8–3等同于PC063–Y0.18–B8–3	
PC	减速机的型号代号：PC Type:PC
063	减速机的机座号：63 Base number:063
Y0.18(4P)	配电机功率;0.18KW,极数=4P(配电机63B5型) With motor power:0.18KW, four poles(with motor 63B5type)
3.00	公称速比：3.00（可以省略） Nominal ratio:3.00(can omitted)
$\phi 11$	输出轴直径： $\phi 11$ （标准轴径可以省略） Output shaft diameter: $\phi 11$ (Standard shaft diameter omitted)
B8	安装方式代号：B8(见PC系列减速机安装方式P25) Code of installation fom:B8(See the installation form of PC serial reducer page25)
3	接线盒方向代号：3（见电机接线盒方向P25） Location of switchbox:3(see location of motor switchbox page25)

电机接线盒方向
Location of switchbox



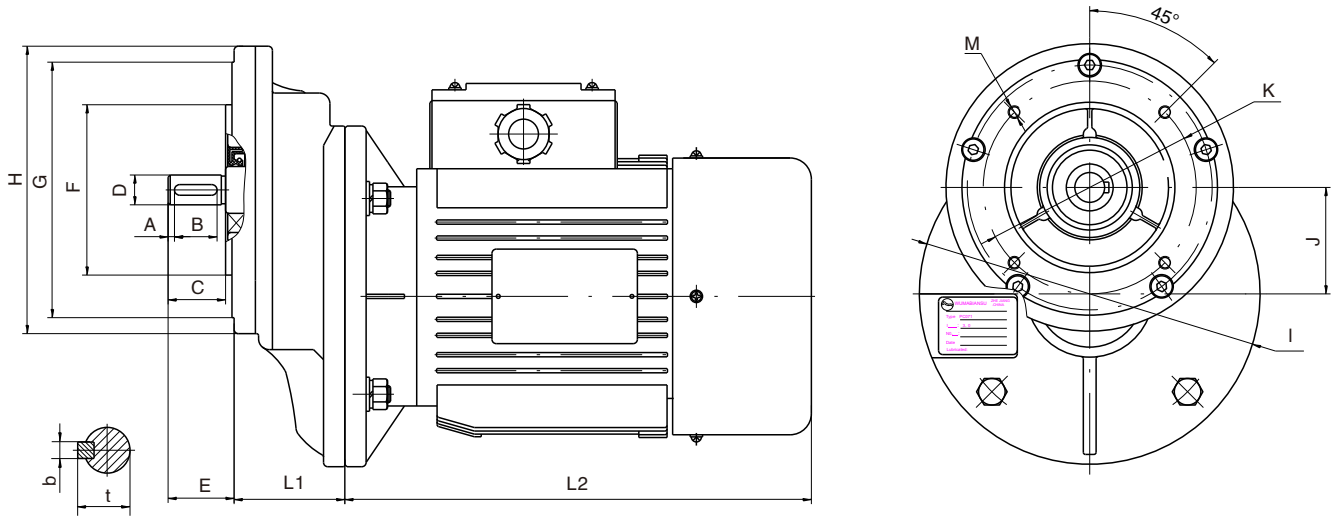
注意：如有特殊要求，订货时按图表标明接线盒位置。
Notice: For specific requirement, indicate the position of switchbox based on the diagram in the order

PC系列减速机安装方式
The installation of PC serial gear reducer



注意：1、如无特殊说明，以B3为标准安装方式
2、无注明安装方式时,请与我公司技术部联系
Note: 1、 If no specific description, B3 is regarded as standard installation form.
2、 If no installation form described. please contact our technical department.

PC系列减速机外形尺寸图 Appearance size of PC serial gear reducer;

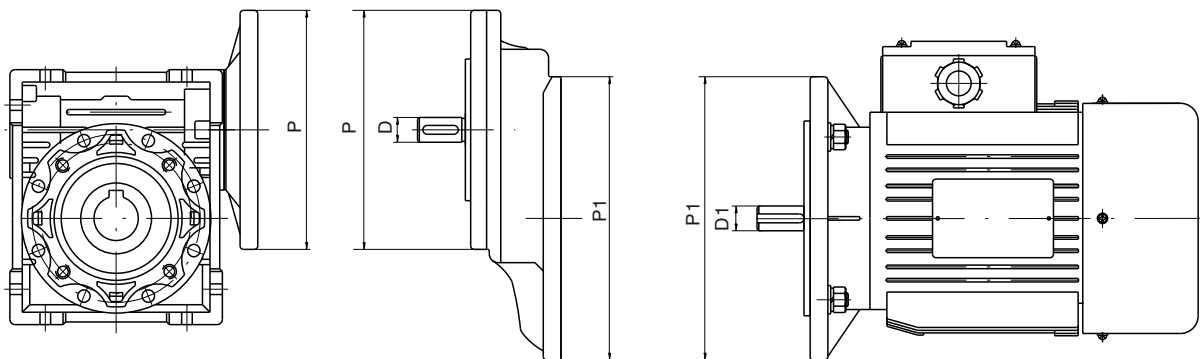


型号 Type	A	B	C	D(js6)	b	t	E	F(H8)	G	H	I	J	K	M	L1	L2(电机型号)
PC063	1.5	18	21	11	4	12.5	23	70	105	114	140	40	85	4-M6×10	45	202 (63B5型)
	2	20	28	※14	5	16	30									
PC071	3	20	27	14	5	16	30	80	120	135	160	50	100	4-M6×10	53	220 (71B5型)
	3	32	37	※19	6	21.5	40									
PC080 PC090	3	32	40	19	6	21.5	40	110	160		200	63	130	4-M8×11	72.5	255 (80B5型)
	4	40	50	※24	8	27	50									
	4	50	60	※28	8	31	60	110	160		200	63	130	4-M8×11	72.5	265 (90B5型) 290 (90LB5型)
	3	32	40	※19	6	21.5	40									
	3	40	50	24	8	27	50									
	3	50	60	※28	8	31	60									

注：表中所列输出轴径“D(js6)”没有打“※”为有标准规格，打有“※”为非标规格，用户可根据需要选用。

Note: The output shaft's diameter "D(js6)" without "※" shown in the table is standard specification, or the diameter without "※" is non-standard one; the user may select them based on the need

PC+WMRV 组合型减速机组合方式 Combined of PC+WMRV reducer



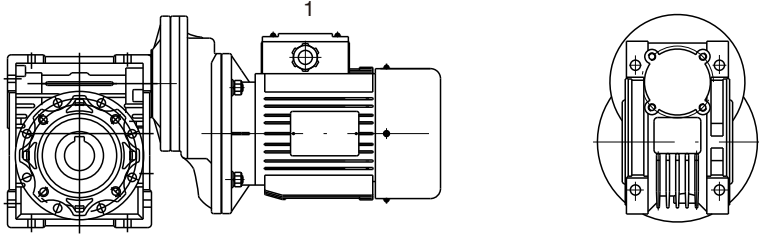
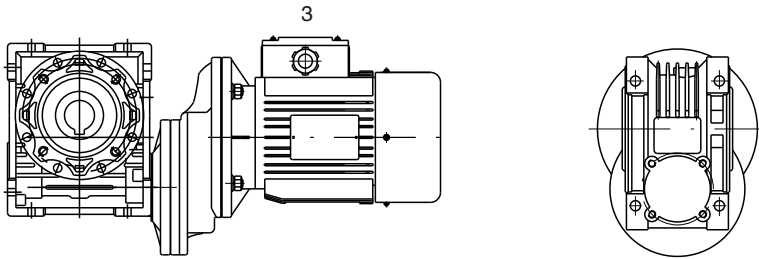
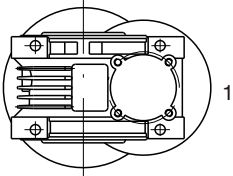
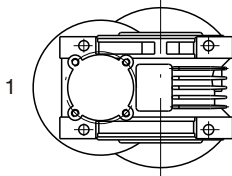
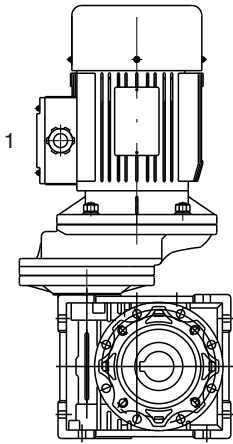
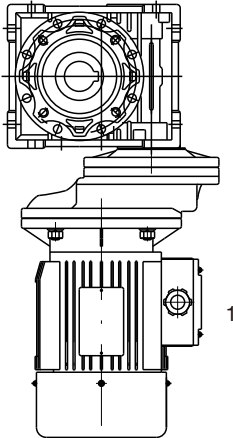
PC+WMRV		电机型号-P1/D1 motor type	P/D	(P/D)	备注 Remarks
PC063+	WMRV40	63B5-Φ140/Φ11	Φ105/Φ11	(Φ105/Φ14)	蜗杆减速机配输入法兰71B14型 Worm reducer is provided with 71B14 type input flange
	WMRV50				
	WMRV63				
PC071+	WMRV50	71B5-Φ160/Φ14	Φ120/Φ14	(Φ120/Φ19)	蜗杆减速机配输入法兰80B14型 Worm reducer is provided with 80B14 type input flange
	WMRV63				
	WMRV75				
	WMRV90				
PC080+	WMRV75	80B5-Φ200/Φ19	Φ160/Φ19	(Φ160/Φ24) (Φ160/Φ28)	蜗杆减速机配输入法兰71B5型 Worm reducer is provided with 71B5 type input flange
	WMRV90				
	WMRV110				
	WMRV130				
PC090+	WMRV110	90B5-Φ200/Φ24	Φ160/Φ24	(Φ160/Φ19) (Φ160/Φ28)	蜗杆减速机配输入法兰71B5型 Worm reducer is provided with 71B5 type input flange
	WMRV130				

注：打括号的尺寸为非标规格，用户可以根据需要选用。

Note: The dimension with bracket is non-standard specification; the user may select it based on the need.

蜗杆减速机型号 Type	蜗杆减速机速比 (i)	PC063		PC071		PC080			PC090		
		Φ105/Φ11 i=3	Φ105/Φ14 i=3	Φ120/Φ14 i=3	Φ120/Φ19 i=3	Φ160/Φ24 i=3	Φ160/Φ24 i=3	Φ160/Φ28 i=3	Φ160/Φ19 i=2.42	Φ160/Φ24 i=2.42	Φ160/Φ28 i=2.42
WMRV40	25										
	30										
	40										
	50										
	60										
	80										
	100										
WMRV50	25										
	30										
	40										
	50										
	60										
	80										
	100										
WMRV63	25										
	30										
	40										
	50										
	60										
	80										
	100										
WMRV75	25										
	30										
	40										
	50										
	60										
	80										
	100										
WMRV90	25										
	30										
	40										
	50										
	60										
	80										
	100										
WMRV110	25										
	30										
	40										
	50										
	60										
	80										
	100										
WMRV130											

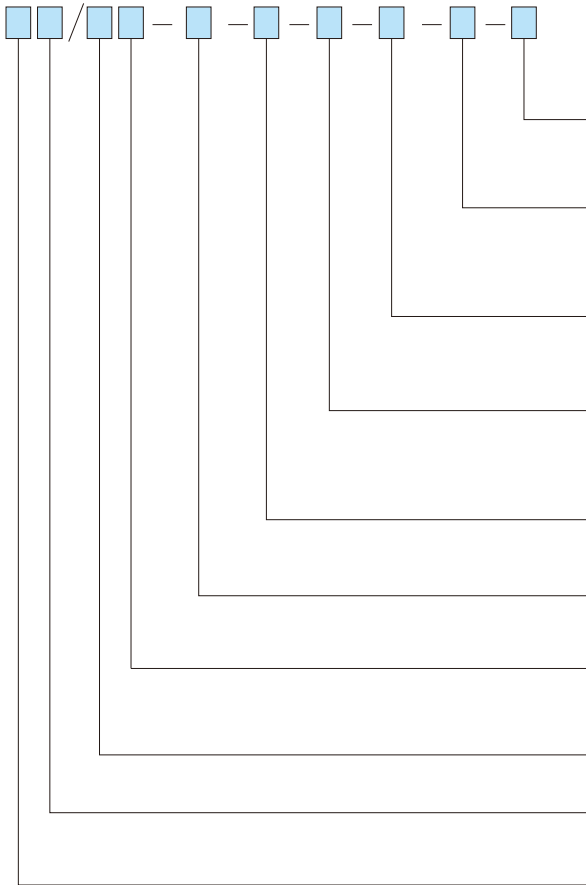
PC+WMRV组合型减速机安装方式
Installation form of PC+WMRV combined reducer

B3		
B8		
B6		<p data-bbox="810 1090 847 1118">B7</p> 
V5		
	<p data-bbox="810 1569 847 1597">V6</p>	

注意：1、如无特殊说明，以B3为标准安装方式
2、无注明安装方式时，请与我公司技术部联系

Note: 1、If no specific description, B3 is regarded as standard installation form.
2、If no installation form described, please contact our technical department.

PC+WMRV组合型减速机标记方式 Marking form of PC+WMRV combined reducer



接线盒方向: 1、2、3、4 (参考PC系列电机接线盒方向, 见P25)
The direction of switchbox: 1、2、3、4 (Refer to the direction of switchbox on PC serial motor, see page 25)

输出要求: YZ、DZ1、DZ2、SZ, 不配省略 (参考RV系列相关尺寸, 见1页、3页、10页)
Output shaft requirement: YZ、DZ1、DZ2、SZ, omitting without it (Refer to RV serial, see page 1, page 3, page 10)

安装附件要求: F1、F2、FL1、FL2、TA; 不配省略 (参考RV系列相关尺寸, 见1页、3页、9页、10页)
The requirements for installing accessories: F1、F2, omit without it (Refer to relevant dimensions or RV serial see page 1, page 3, page 9, page 10)

安装方式: B3、B6、B7、B8、V5、V6 (见“PC+WMRV组合型减速机安装方式” P28)
Installation form: B3、B7、B8、V5、V6 (Refer to “Installation form of PC+WMRV Combined reducer” see page 28)

减速机公称速比
Nominal ratio

减速机所配电机类型及功率, 不配省略 (电机应注明电机极数“P”, 4P时省略)
The type and power of motor on the reducer, omitting without it (Pole number “P” shall be indicated on the motor; omit if 4P)

后置蜗杆减速机机座代号: 40、50、63、75、90、110、130
Specifications and code of postposition worm reducer base: 40、50、63、75、90、110、130

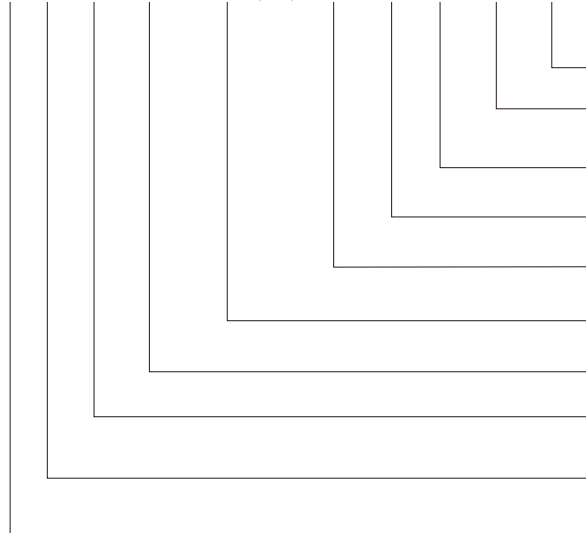
后置蜗杆减速机机型: WMRV型
Type of postposition worm reducer base: 40、50、63、75、90、110、130

前置减速机机座规格代号: 063、071、080、090
Specifications and preposition reducer: 063、071、080、090

前置减速机机型: PC型
Type of preposition reducer: PC type

PC+WMRV组合型减速机标记方式示例 Sign example of PC+WMRV combined reducer

PC071/WMRV75 - Y0.18(6P) - 180 - V5 - F1 - DZ1 - 1



接线盒方向: 1
The direction of switchbox: 1

输出轴要求: DZ1
Output shaft requirement: DZ1

安装附件要求: F1
The requirements for installing accessories: F1

安装方式: V5
Installation form: V5

减速机公称速比: 180
Nominal ratio: 180

减速机所配电机类型及功率: Y0.18, 电机极数: 6P
The type and power of motor on the reducer: Y0.18, Pole number: 6P

后置蜗杆减速机机座规格代号: 75
Specifications and code of postposition worm reducer base: 75

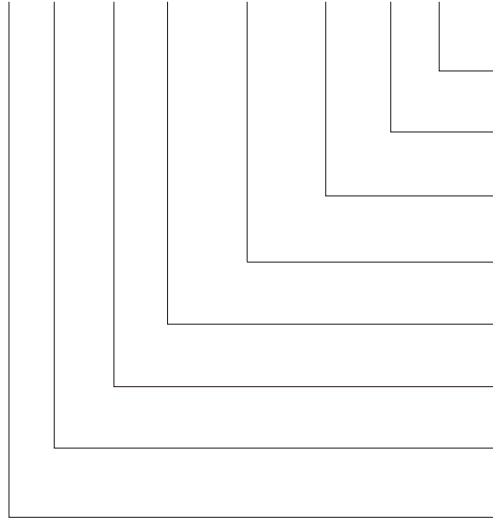
后置蜗杆减速机机型: WMRV型
Type of postposition worm reducer base: WMRV

前置减速机机座规格代号: 071
Specifications and code of postposition reducer: 071

前置减速机机型: PC型
Type of postposition reducer: PC type

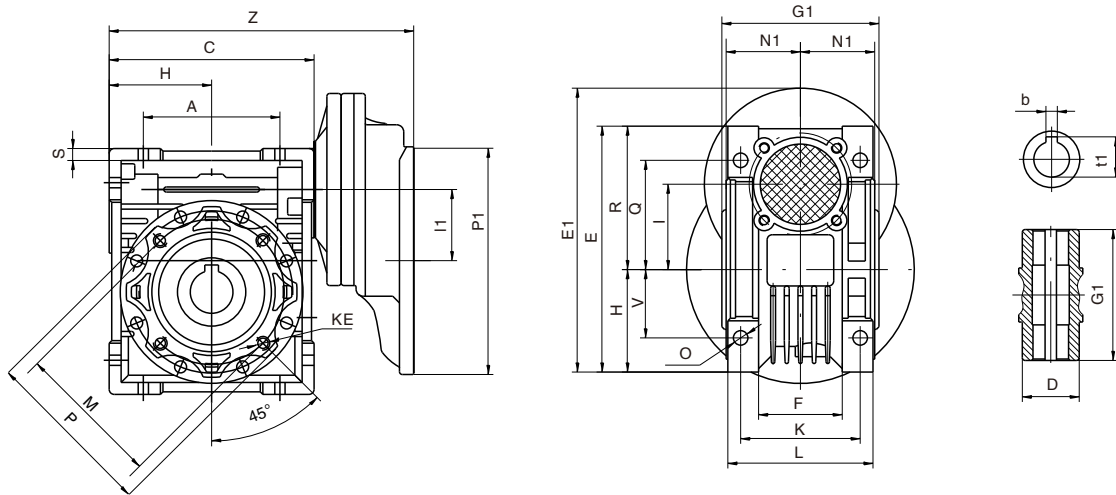
PC+WMRV组合型减速标记机方式示例：
Sign example of PC+WMRV combined reducer

PC063/WMRV63 - Y0.18 - 180 - B8 - 3



- 接线盒方向: 3
The direction of switchbox:3
- 安装方式: B8
Installation form:B8
- 减速机公称速比:180
Nominal ratio:180
- 减速机所配电机类型及功率:Y0.18
The type and power of motor on the reducer Y0.18
- 后置蜗杆减速机机座规格代号:63
Specifications and code of postposition worm reducer base:63
- 后置蜗杆减速机型号: WMRV型
Type of postposition worm reducer base:WMRV
- 前置减速机机座规格代号: 063
Specifications and code of preposition reducer:063
- 前置减速机机型: PC型
Type of preposition reducer: PC type

PC+WMRV组合型减速机外形尺寸
Outline dimension of PC+WMRV combined reducer



PC+WMRV组合		A	C	D(H7)	t1	b	E	E1	F	G1	H	I	I1	K
PC 063+	WMRV40	70	100	18	20.8	6	121.5	147	43	78	50	40	40	60
	WMRV50	80	120	25	28.3	8	145	167	49	92	60	50	40	70
	WMRV63	100	144	25	28.3	8	174	192	67	112	72	63	40	85
PC 071+	WMRV50	80	120	25	28.3	8	145	177.5	48	92	60	50	50	70
	WMRV63	100	144	25	28.3	8	174	202.5	67	112	72	63	50	85
	WMRV75	120	172	28	31.3	8	205	228.5	72	120	86	75	50	90
PC 080+	WMRV90	140	206	35	38.3	10	238	260.5	72	140	103	90	50	100
	WMRV75	120	172	28	31.3	8	205	241	72	120	86	75	63	90
	WMRV90	140	206	35	38.3	10	238	273	72	140	103	90	63	100
	WMRV110	170	252.5	42	45.3	12	295	317.5		155	127.5	110	63	115
PC 090+	WMRV130	200	292.5	45	48.8	14	335	357.5		170	147.5	130	63	120
	WMRV110	170	252.5	42	45.3	12	295	317.5		155	127.5	110	63	115
	WMRV130	200	292.5	45	48.8	14	335	357.5		170	147.5	130	63	120

PC+WMRV组合		KE	L	M	N(h8)	N1	O	P	P1	Q	R	V	S	Z
PC 063+	WMRV40	4-M8×8	71	75	60	36.5	6.5	87	140	55	71.5	35	6.5	165
	WMRV50	4-M8×10	85	85	70	43.5	8.5	100	140	64	85	40	7	185.5
	WMRV63	8-M8×14	103	95	80	53	8.5	110	140	80	102	50	8	213.5
PC 071+	WMRV50	4-M8×10	85	85	70	43.5	8.5	100	160	64	85	40	7	202.5
	WMRV63	8-M8×14	103	95	80	53	8.5	110	160	80	102	50	8	221.5
	WMRV75	8-M10×18	113	115	95	57	11	140	160	93	119	60	10	252
	WMRV90	8-M8×14	130	130	110	67	13	160	160	102	135	70	11	286
PC 080+	WMRV75	8-M10×18	113	115	95	57	11	140	200	93	119	60	10	271.5
	WMRV90	8-M10×18	130	130	110	67	13	160	200	102	135	70	11	305.5
	WMRV110	8-M12×21	142	165	130	74	14	200	200	125	167.5	85	15	357
	WMRV130	8-M10×18	155	215	180	81	16	250	200	140	187.5	10	15	397
PC 090+	WMRV110		142	165	130	74	14	200	200	125	167.5	85	15	357
	WMRV130		155	215	180	81	16	250	200	140	187.5	100	15	397

PC及PC+WMRV组合型减速机技术参数
Technical data of PC and PC+WMRV combined reducer

P1 (KW)	n2 (r/min)	M2 (N.M)	f.s	i	减速机型号 Type	电机型号 Motor type		
						国内型号 Home type	安装结构 Mounting	
0.12	466.7	2.4	2.08	3	PC063	Y2-631-4	IMB5	
	18.7	42.4	1.20	75	PC063+WMRV40	Y2-631-4	IMB5	
	156.6	46.0	1.20	90				
	11.7	57.0	0.90	120				
	9.3	66.0	0.70	150				
	7.8	74.0	0.60	180				
	9.3	67.5	1.30	150	PC063+WMRV50	Y2-631-4	IMB5	
	7.8	75.0	1.10	180				
	5.8	88.0	0.80	240				
	4.7	98.0	0.70	300				
	5.8	92.3	1.50	240	PC063+WMRV63	Y2-631-4	IMB5	
	4.7	103.0	1.20	300				
	0.18	466.7	3.6	1.42	3	PC063	Y2-632-4	IMB5
		18.7	63.5	0.80	75	PC063+WMRV40	Y2-632-4	IMB5
15.6		70.0	0.80	90				
11.7		85.0	0.60	120				
18.7		63.5	1.40	75	PC063+WMRV50	Y2-632-4	IMB5	
15.6		71.0	1.50	90				
11.7		87.0	1.10	120				
9.3		101.0	0.90	150				
7.8		113	0.70	180				
5.8		133.0	0.60	240				
9.3		103.1	1.70	150	PC063+WMRV63	Y2-632-4	IMB5	
7.8		117.0	1.40	180				
5.8		139.0	1.00	240				
4.7		155.0	0.80	300				
300.0		5.6	1.97	3	PC071	Y2-711-6	IMB5	
12.0		94.5	1.20	75	PC071+WMRV50	Y2-711-6	IMB5	
10.0		105.0	1.40	90				
7.5		126.0	1.00	120				
12.0		97.4	2.20	75	PC071+WMRV63	Y2-711-6	IMB5	
10.0	107.0	2.40	90					

PC及PC+WMRV组合型减速机技术参数
Technical data of PC and PC+WMRV combined reducer

P1 (KW)	n2 (r/min)	M2 (N.M)	f.s	i	减速机型号 Type	电机型号 Motor type				
						国内型号 Home type	安装结构 Mounting			
0.18	7.5	131.0	1.80	120	PC071+WMRV63	Y2-711-6	IMB5			
	6.0	152.0	1.40	150						
	5.0	168.0	1.20	180						
	3.8	197.0	0.90	240						
	3.0	218.0	0.70	300						
	5.0	178.8	1.70	180				PC071+WMRV75	Y2-711-6	IMB5
3.8	211.0	1.20	240							
3.0	235.0	1.00	300							
0.25	466.7	5.0	2.20	3	PC071	Y2-711-4	IMB5			
	18.7	88.3	1.00	75	PC071+WMRV50	Y2-711-4	IMB5			
	15.6	98.0	1.10	90	PC071+WMRV63	Y2-711-4	IMB5			
	11.7	121.0	0.80	120						
	18.7	90.8	1.80	75						
	15.6	100.0	2.00	90						
	11.7	125.0	1.50	120						
	9.3	143.0	1.20	150						
	7.8	163.0	1.00	180	PC071+WMRV75	Y2-711-4	IMB5			
	5.8	192.0	0.70	240						
	4.7	215.0	0.60	300						
	9.3	150.9	1.70	150						
	7.8	172.0	1.40	180						
	5.8	201.0	1.10	240						
	4.7	230.0	0.90	300	PC071+WMRV90	Y2-712-6	IMB5			
	300.0	7.8	1.41	3				PC071	Y2-712-6	IMB5
	12.0	135.3	1.60	75				PC071+WMRV63	Y2-712-6	IMB5
	10.0	148.0	1.80	90				PC071+WMRV75	Y2-712-6	IMB5
	7.5	181.0	1.30	120						
	6.0	211.0	1.00	150						
	12.0	139.3	2.40	75						
	10.0	155.0	2.50	90						
	7.5	191.01	1.90	120						
	6.0	219.0	1.50	150	PC071+WMRV90	Y2-712-6	IMB5			
5.0	248.0	1.20	180							
5.0	262.6	1.90	180							
3.8	318.0	1.40	240							
3.0	358.0	1.10	300							
5.0	248.0	1.20	180							
0.37	466.7	7.4	1.49	3	PC071	Y2-712-4	IMB5			
	18.7	134.4	1.2	75	PC071+WMRV63	Y2-712-4	IMB5			
	15.6	148.0	1.40	90	PC071+WMRV75	Y2-712-4	IMB5			
	11.7	185.0	1.00	120						
	9.3	212.0	0.80	150						
	18.7	138.2	1.8	75						
	15.6	154.0	1.9	90						
	11.7	191.0	1.50	120						
	9.3	223.0	1.10	150	PC071+WMRV90	Y2-712-4	IMB5			
	7.8	254.0	0.90	180						
	7.8	268.0	1.50	180						
	5.8	321.0	1.10	240						
	4.7	371.0	0.90	300						
	5.0	248.0	1.20	180						
	300.0	11.5	1.91	3	PC080	Y2-801-6	IMB5			
	12.0	206.1	1.60	75	PC080+WMRV75	Y2-801-6	IMB5			
	10.0	230.0	1.70	90						

PC及PC+WMRV组合型减速机技术参数
 Technical data of PC and PC+WMRV combined reducer

P1 (KW)	n2 (r/min)	M2 (N.M)	f.s	i	减速机型号 Type	电机型号 Motor type	
						国内型号 Home type	安装结构 Mounting
0.37	7.5	283.0	1.30	120	PC080+WMRV75	Y2-801-6	IMB5
	6.0	324.0	1.00	150			
	6.0	347.5	1.60	150	PC080+WMRV90	Y2-801-6	IMB5
	5.0	389.0	1.30	180			
	3.8	471.0	1.00	240			
	3.8	508.8	1.60	240	PC080+WMRV110	Y2-801-6	IMB5
0.55	3.0	577.0	1.30	300			
	466.7	11.0	2.03	3	PC080	Y2-801-4	IMB5
	18.7	205.4	1.20	75	PC080+WMRV75	Y2-801-4	IMB5
	15.6	230.0	1.30	90			
	11.7	284.0	1.00	120			
	9.3	332.0	0.80	150			
	15.6	239.7	2.30	90	PC080+WMRV90	Y2-801-4	IMB5
	11.7	297.0	1.60	120			
	9.3	355.0	1.30	150			
	7.8	398	1	180			
	5.8	477	0.8	240			
	7.8	425.5	1.80	180	PC080+WMRV110	Y2-801-4	IMB5
	5.8	513.0	1.30	240			
	4.7	597.0	1.00	300			
	300.0	17.2	1.29	3	PC080	Y2-802-6	IMB5
	12.0	306.4	1.10	75	PC080+WMRV75	Y2-802-6	IMB5
	10.0	341.0	1.10	90			
	10.0	357.2	2.00	90	PC080+WMRV90	Y2-802-6	IMB5
	7.5	441.0	1.40	120			
	6.0	516.0	1.10	150			
	5.0	578.0	0.90	180			
7.5	462.2	2.60	120	PC080+WMRV110	Y2-802-6	IMB5	
6.0	552.0	2.00	150				
5.0	620.0	1.60	180				
3.8	756.0	1.10	240				
3.8	756.4	1.60	240	PC080+WMRV130	Y2-802-6	IMB5	
3.0	858.0	1.30	300				
0.75	466.0	15.0	1.47	3	PC080	Y2-802-4	IMB5
	18.7	280.1	0.90	75	PC080+WMRV75	Y2-802-4	IMB5
	15.6	313.0	1.00	90			
	15.6	336.9	1.70	90	PC080+WMRV90	Y2-802-4	IMB5
	11.7	405.0	1.20	12			
	9.3	483.0	0.90	150			
	7.8	543.0	0.70	180			
	11.7	429.8	2.20	120	PC080+WMRV110	Y2-802-4	IMB5
	9.3	506.0	1.70	150			
	7.8	580.0	1.30	180			
	5.8	700.0	0.90	240			
	5.8	712.2	1.40	240	PC080+WMRV130	Y2-802-4	IMB5
	4.7	813.0	1.10	300			
	376	18.7	1.91	2.42	PC090	Y2-90S-6	IMB5
	12.4	392.9	3.20	73	PC090+WMRV110	Y2-90S-6	IMB5
	9.3	508.0	2.30	96.8			
	7.4	607.0	1.80	121			
	6.2	682.0	1.50	145.2			
	4.6	832.0	1.00	193.6			

PC及PC+WMRV组合型减速机技术参数
Technical data of PC and PC+WMRV combined reducer

P1 (KW)	n2 (r/min)	M2 (N.M)	f.s	l	减速机型号 Type	电机型号 Motor type				
						国内型号 Home type	安装结构 Mounting			
0.75	12.4	398.7	4.40	73	PC090+WMRV130	Y2-90S-6	IMB5			
	9.3	508	3.2	96.8						
	7.4	607	2.6	121						
	1.1	6.2	682.0	2.10	145.2	PC080+WMRV130	Y2-90S-6	IMB5		
		4.6	832.0	1.50	193.6					
		3.7	944.0	1.20	242					
1.1	578.5	17.8	2.00	2.42	Pc090	Y2-90S-4	IMB5			
	19.3	392.2	2.50	73	PC090+WMRV110	Y2-90S-4	IMB5			
	14.5	508.0	1.80	96.8						
	11.6	599.0	1.50	121	PC080+WMRV130	Y2-90S-4	IMB5			
	9.6	686.0	1.10	145.2						
	7.2	828.0	0.80	193.6						
	19.3	397.7	3.50	73						
	14.5	508.0	2.60	96.8						
	11.6	608.0	2.00	121						
	9.6	686.0	1.60	145.0	Pc090	Y2-90L-6	IMB5			
	7.2	843.0	1.20	193.6						
	5.8	962.0	0.90	242						
	376.0	27.4	1.30	2.42						
	12.4	1576.2	2.20	73				PC090+WMRV110	Y2-90L-6	IMB5
	9.3	746.0	1.60	96.8						
	7.4	890.0	1.20	121	PC090+WMRV130	Y2-90L-6	IMB5			
	6.2	1000.0	1.00	145.2						
	12.4	584.7	3.00	73						
9.3	746.0	2.20	96.8							
7.4	890.0	1.70	121							
6.2	1000.0	1.40	145.2							
1.5	4.6	1220.0	1.00	193.6	PC090+WMRV130	Y2-90L-4	IMB5			
	12.4	584.7	3.00	73						
	9.3	746.0	2.20	96.8						
	7.4	890.0	1.70	121						
	6.2	1000.0	1.40	145.2						
	4.6	1220.0	1.00	193.6						
	1.5	578.5	24.3	1.47	2.42	Pc090	Y2-90L-4	IMB5		
		19.3	534.9	1.90	73	PC090+WMRV110	Y2-90L-4	IMB5		
		14.5	693.0	1.30	96.8					
		11.6	817.0	1.10	121	PC090+WMRV130	Y2-90L-4	IMB5		
		9.6	936.0	0.80	145.2					
		19.3	542.3	2.60	73					
14.5		693.0	1.90	96.8						
11.6		830.0	1.50	121						
9.6		936.0	1.10	145.2						
7.2		1148.9	0.80	194	Pc090	Y2-90L-2	IMB5			
2.2	1157.0	17.9	2.00	2.42						
	38.6	397.7	2.10	73				PC090+WMRV110	Y2-90L-2	IMB5
	28.9	516.7	1.50	96.8						
	23.1	617.0	1.20	121				PC090+WMRV130	Y2-90L-2	IMB5
38.6	408.6	2.90	73							
28.9	545.0	2.00	96.8							
23.1	654.0	1.60	121							
19.3	752.0	1.30	145.2							

减(变)速机订货须知

- 1、主机名称: _____
 - 2、减速机在主机中的作用_____
 - 3、使用环境条件: 温度_____摄氏度
 - 4、每天运转时间_____
 - 5、电机类型_____功率_____千瓦; 电压_____伏特; 输入转速_____转/分; 频率_____赫兹
 - 6、传动比_____; 输出轴转速_____转/分
 - 7、减速机所承受载荷(转矩)_____N.m
 - 8、减速机型号规格(按型号表示示例填写)_____
 - 9、减速机与电动机连接方式_____
 - 10、所需台数_____, 希望供货时间_____年_____月_____日
 - 11、用户在订货时, 双方需要签定全国同一格式文本合同, 签定生效后, 双方务必按《中华人民共和国合同法》中有关条款规定执行。
 - 12、在签定合同前, 必须详细阅读了解本书中的各产品性能, 使用范围特点, 各种机型的型号表示方法, 包括机型号安装方式、是否带电机、减速比、电机功率、扭矩等相关内容。直接配电机的产品, 除注明电机功率外, 还要务必注明机种类, 相数(电机)极数(转数)如没有注明一律按三相四极交流电机出厂。
 - 13、用户在订货时尽量选取我公司的型号、规格、如特殊减速比、变速比、特殊电机可特殊订货, 我分司可为用户特殊设计制造。
 - 14、本书所例的各项技术数据及其他, 可供用户参考使用, 如有技术改进, 恕不另行通知。
- 注: a、选择带无级变速器的机型, 为充分显示本机型的优良特性, 常用转速应选择变速范围中间值。
b、订货时请选择本目录内的标准产品, 如有特殊要求请在合同上详细说明。

Notices in speed reducer (speed changer) procurement

- 1、Main unit name: _____
- 2、Purpose of speed reducer in main unit
- 3、Operating conditions: Temperature _____ °C
- 4、Working time every day _____.
- 5、Motor type _____; Power _____ KW; Voltage _____ V; Input rotating speed _____ r/min; Frequency _____ HZ
- 6、Transmission ratio _____; Output spindle rotation speed _____ r/min
- 7、Maximum (torque) load allowed on speed reducer _____ N.m
- 8、Type of speed reducer (fill in types as specified) _____
- 9、Coupling method between speed reducer and motor _____
- 10、Quantity required _____. Expeded delivery date ___ year ___ month ___ day.
- 11、When a user places an order, the two parties shall sign a national uniform-pattern contract, which comes into effect after being signed, and the two parties shall implement according to relevant provisions in Contract Law of the People's Republic of China.
- 12、Before signing a contract, please read all technical parameters, application range and expression of types, including installation patterns, motors attached or not, speed reduction ratio, motor power, torque and so on. To products directly coupled with motors, besides motor power, motor type, phase number (motor) and stage number (rotation number) shall be specified, otherwise, we will provide 3-phase & 4-stage AC motors for all.
- 13、Users shall try to select the types manufactured by our compant, Special orders are available for special speed reduction ratio, transmisson ratio and motors, and our company can design and manufacture for users.
- 14、All technical parameters and other information in this document ate for users' reference, and we will not otherwise when any technical improvements ate made.

Note: a. When selecting the machine model with stepless speed variator, in order to fully represent the excellent properties of this model of machine, generally, the rotary speed shall be the middle calue within the speed cariation range.

b. When ordering, please try to select the standard products in the catalogue. If there is any special requirement, please notify it in the contract.